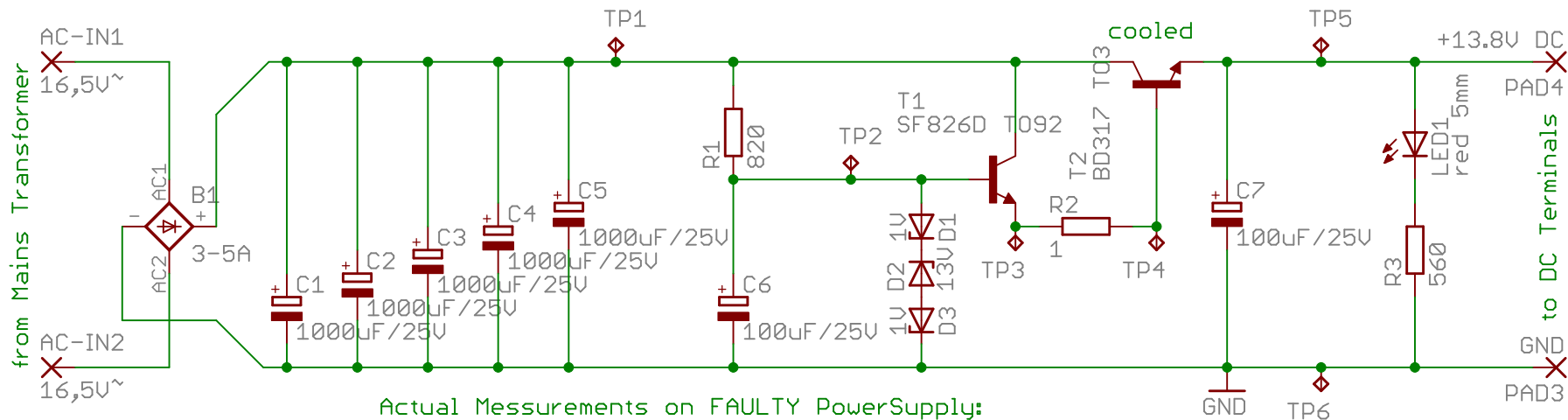


80s PowerSupply 13.8V/3A(5A) by CONRAD Electronics, Germany

2011-11-05 Reverse Engineered by Axel Werner (mail@awerner.homeip.net)



Actual Measurements on FAULTY PowerSupply:

T1: Uce=0.325V
 Ube=7.8V << ???
 Ubc=-8.2V

T2: Uce=0.97V
 Ube=0.64V

Testpoints:
 Utp1=23.7V
 Utp2=Uzd=15.3V
 Utp5=22.7V